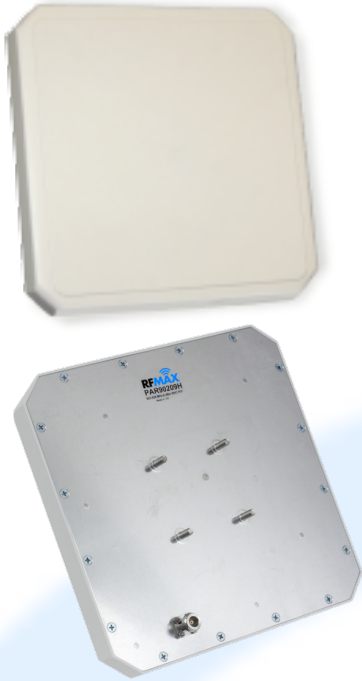




Circular Polarity RFID Panel Antenna PAL90209H / PAR90209H



902-928 MHz 9 dBic IP67 RATED FOR OUTDOOR USE

The RFMAX PAL90209H / PAR90209H antenna is a circularly polarized panel antenna that provides reception and transmission of signals in the 902-928 MHz frequency band. The antenna achieves maximum efficiency and performance across the entire frequency band, and is housed in a low profile, IP67 rated enclosure suitable for use in outdoor environments, and is also UL 94-V2 rated for flammability.

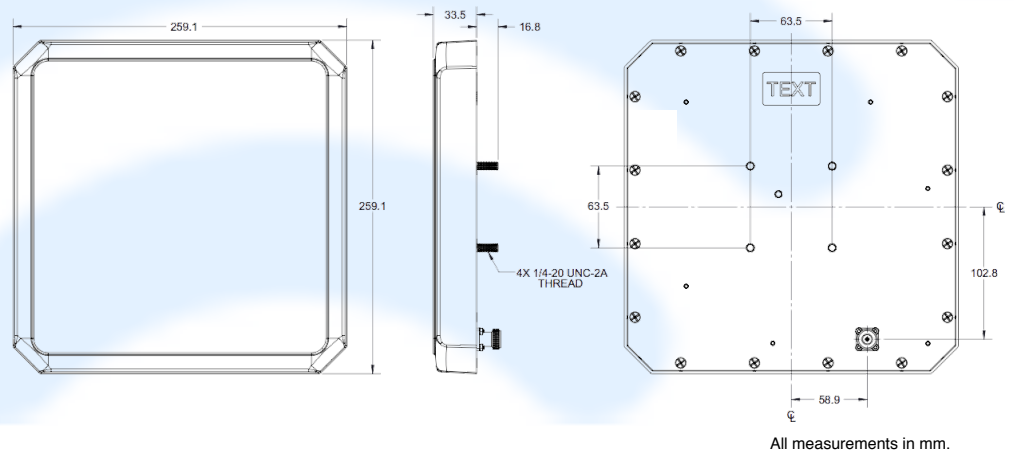
Both VSWR and axial ratios are excellent and allow the user to achieve the maximum performance for an antenna of this type. The antenna is housed in a heavy duty radome enclosure that can be directly wall mounted. An optional fully articulating mount allows either wall or mast mounting in any configuration.

FEATURES

- Low profile
- Extremely low VSWR and axial ratio
- IP67 rated for outdoor use
- Weather and UV resistant radome
- Wide range of connector and cable options
- Circular Polarity
- UL 94-V2 rated for flammability
- Left hand (PAL) and right hand (PAR) versions

APPLICATIONS

- Warehouse
- Distribution center
- Airports and hospitals
- Transit terminals
- Conveyer belts
- Outdoor portals



RFMAX

www.rfmax.us

Distributed internationally by:
Arcadian, Inc.
11 Muller Place
Little Falls, New Jersey, 07424 USA

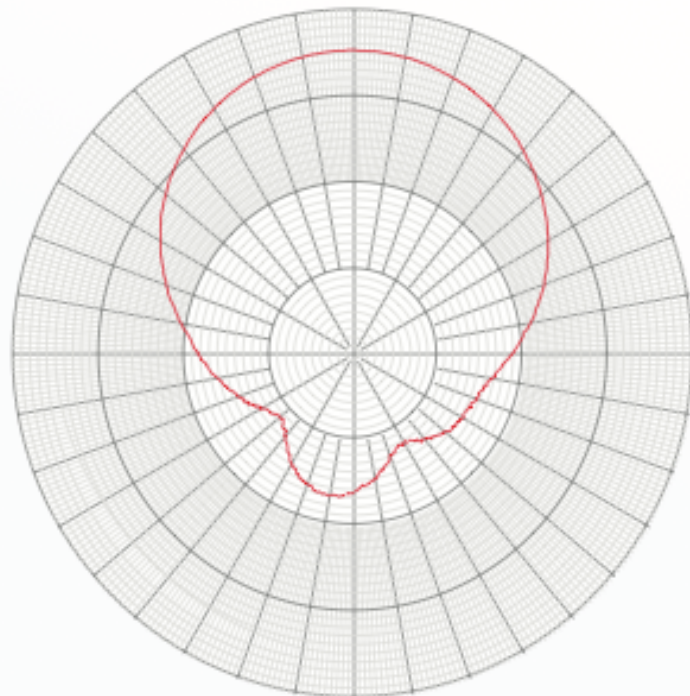
888.925.5967 toll-free
973.890.2324 international

www.arcadianinc.com



SPECIFICATIONS

Antenna Part Number	PAL90209H & PAR90209H
Frequency Range	902 - 928 MHz
Gain	9.0 dBic
Maxium VSWR	1.3:1
3 dB Beamwidth - Azimuth	70°
Front to Back Ratio	20 dB
Polarization	Circular Right or Left
Maxium Input Power	10 Watts
Input Impedence	50 Ohms
Axial Ratio	1dB Typical
Weight (Kg)	2.3 lbs (1.04)
Mechanical Size	10.2" x 10.2" x 1.32"
Antenna Connection	Fixed N-Female
Radome	High Strength PC
Mount Style	Threaded Stud
Temperature Operational	-25°C to +70°C
Lightning Protection	DC Grounded
Environmental Rating	IP67
Flammability Rating	UL 94-V2 (radome only)



915 MHz

RFMAX

www.rfmax.us

Distributed internationally by:
Arcadian, Inc.
 11 Muller Place
 Little Falls, New Jersey, 07424 USA

888.925.5967 toll-free
 973.890.2324 international

www.arcadianinc.com